

# **VTH16 Series User's Manual**

V1.0.0

# Table of Contents

1	General Introduction .....	4
1.1	Model List .....	4
1.2	Front Panel .....	4
1.3	Rear Panel.....	5
2	Product Function .....	7
2.1	Basic Function .....	7
2.1.1	Main Menu .....	7
2.1.2	Video Talk .....	8
2.1.3	Security .....	10
2.1.4	Info Search.....	12
2.1.5	System Settings .....	15
2.2	Unlock.....	19
2.3	Arm/Disarm.....	19
	Appendix 1 Technical Specification.....	21

## Important Safeguards and Warnings

Please read the following safeguards and warnings carefully before using the product in order to avoid damages and losses.

Note:

- Do not expose the device to lampblack, steam or dust. Otherwise it may cause fire or electric shock.
- Do not install the device at position exposed to sunlight or in high temperature. Temperature rise in device may cause fire.
- Do not expose the device to humid environment. Otherwise it may cause fire.
- The device must be installed on solid and flat surface in order to guarantee safety under load and earthquake. Otherwise, it may cause device to fall off or turnover.
- Do not place the device on carpet or quilt.
- Do not block air vent of the device or ventilation around the device. Otherwise, temperature in device will rise and may cause fire.
- Do not place any object on the device.
- Do not disassemble the device without professional instruction.

Warning:

- Please use battery properly to avoid fire, explosion and other dangers.
- Please replace used battery with battery of the same type.
- Do not use power line other than the one specified. Please use it properly. Otherwise, it may cause fire or electric shock.

## Special Announcement

- This manual is for reference only.
- All the designs and software here are subject to change without prior written notice.
- All trademarks and registered trademarks are the properties of their respective owners.
- If there is any uncertainty or controversy, please refer to the final explanation of us.
- Please visit our website for more information.

# 1 General Introduction

## 1.1 Model List

This manual is for the following product models; please carefully check your model and corresponding functions.

VTH16 Series	Model	Front Camera	Screen	SD Card
CH	VTH1660CH	Not support	Capacitive touch screen	Support
	VTH1660CH-C	Support	Capacitive touch screen	Support

## 1.2 Front Panel

Here makes VTH1660CH model as example. .

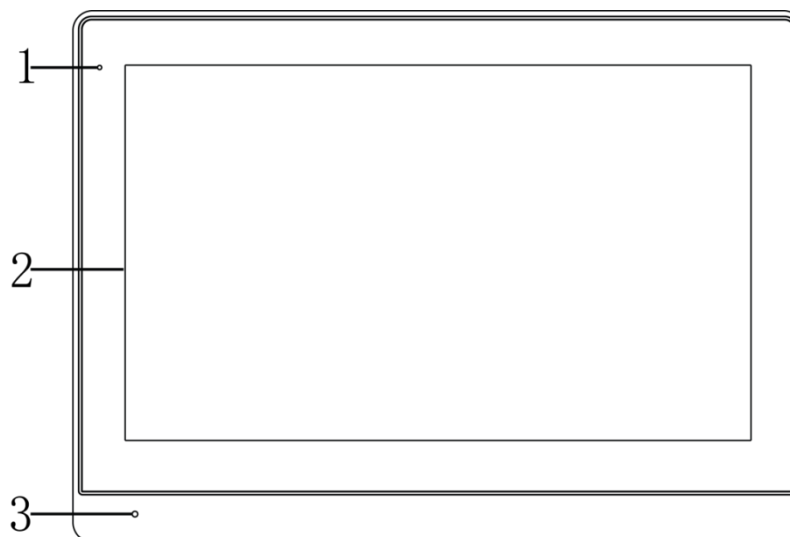


Figure 1- 1 VTH1660CH Model

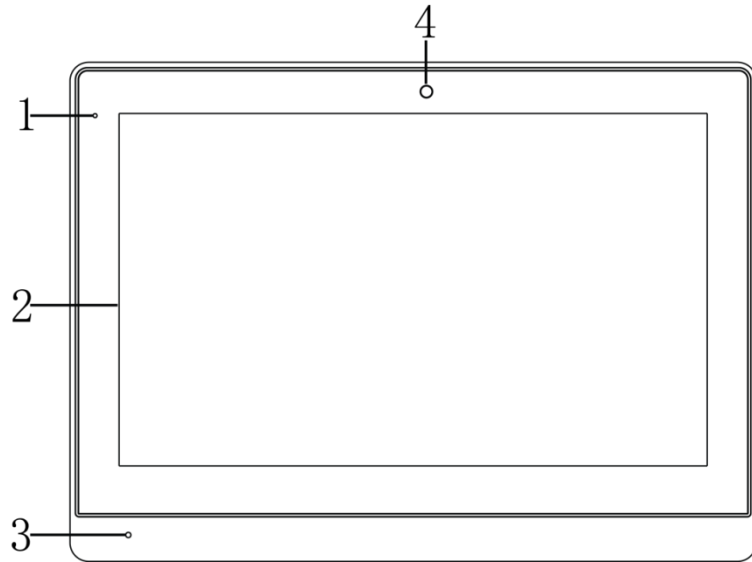


Figure 1- 2 VTH1660CH-C Model

No.	Component	Note
1	Indicator	Power and info.
2	Screen	Display interface.
3	MIC	For talk.
4	Camera	For video call among users. Only VTH1660CH-C supports this function.

### 1.3 Rear Panel

Rear panels of VTH1660CH and VTH1660CH-C are the same.

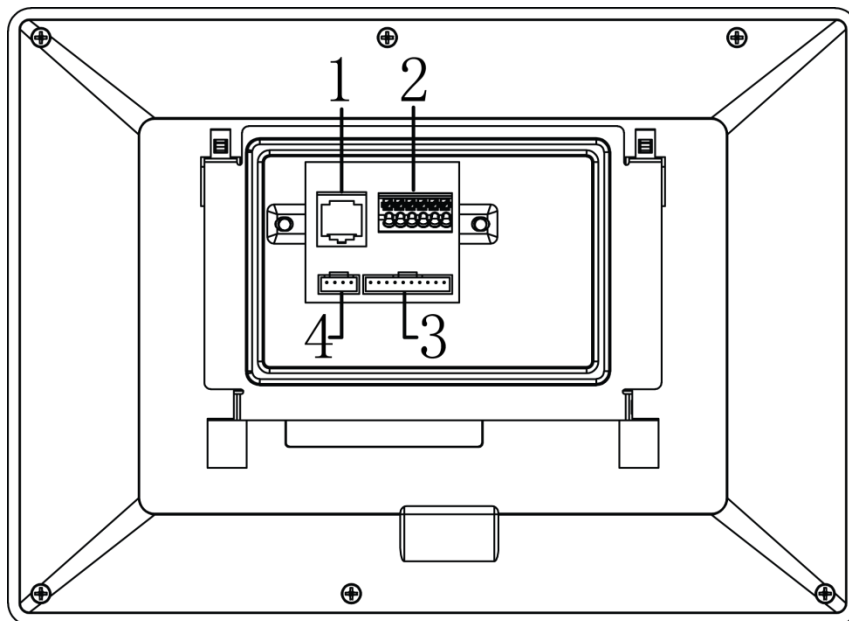


Figure 1- 3 VTH1660CH/VTH1660CH-C Model

No.	Name	Note
-----	------	------

No.	Name	Note
1	Network port	Plug in network cable.
2	Port	Connect to power, and reserve for RS485.
3	Alarm port	8-ch alarm, please refer to tag.
4	Debug port	For installation staff use only.

# 2 Product Function






## 2.1 Basic Function

### 2.1.1 Main Menu

The product main interface has four menus: Video Talk, Security, Message, and Settings. See Figure 2- 1.





Figure 2- 1 VTH15 series

Icon	Name	Note
	Network connection icon	It means network connection is normal.
	VTO not connected	It means device does not connect to any VTO.
	DND icon	It means device enable DND (do not disturb) function.
	SD card icon	It means device has SD card inserted.
	Missed icon	It means user has missed message.

## 2.1.2 Video Talk

### 2.1.2.1 Call User

This function is used for VTH to call VTH.

Step 1. Click on  , Input room no. of user to call (i.e. Building 1, Unit 1, Room 101 is 1-1-101), press  icon to call. When the user being called answers the call, user can have a bidirectional talk. See Figure 2- 2.

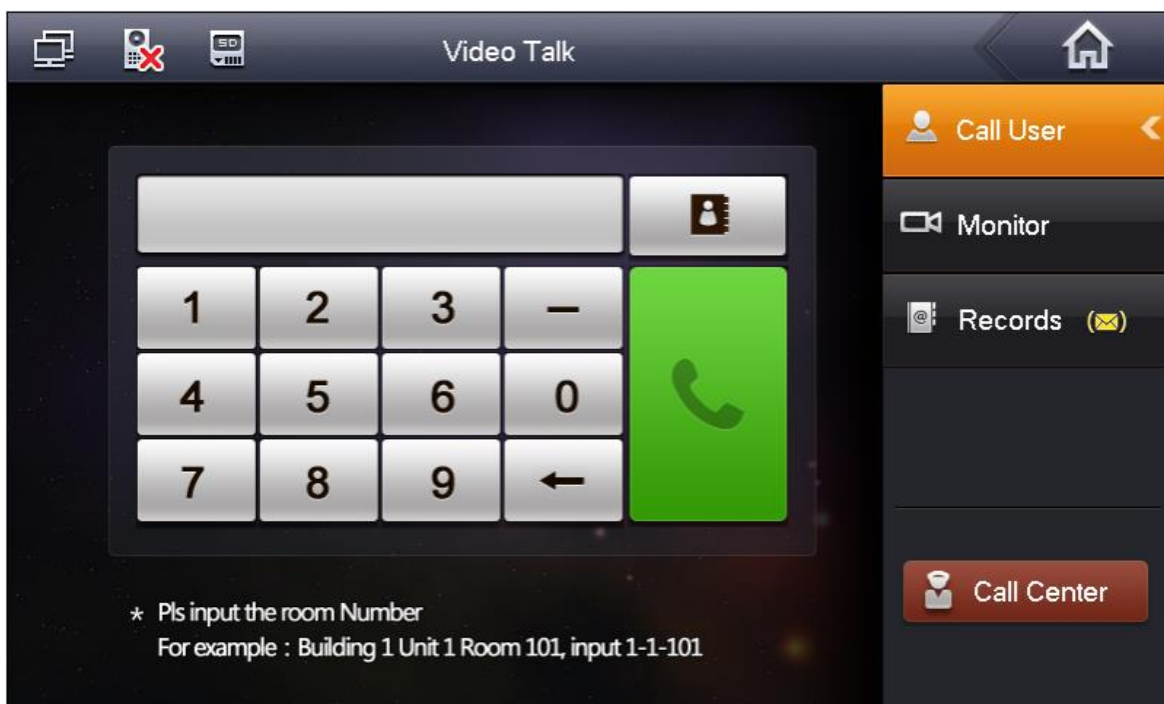




Figure 2- 2

Step 2. Click on  contact book icon, user can call, add, edit and delete contacts.

Note:

If both the two indoor door stations are with front camera (i.e. VTH16-CH model), then you can perform a bidirectional visual talk.

### 2.1.2.2 Monitor

Click on  , you can monitor unit VTO, fence station or IPC. See Figure 2- 3.



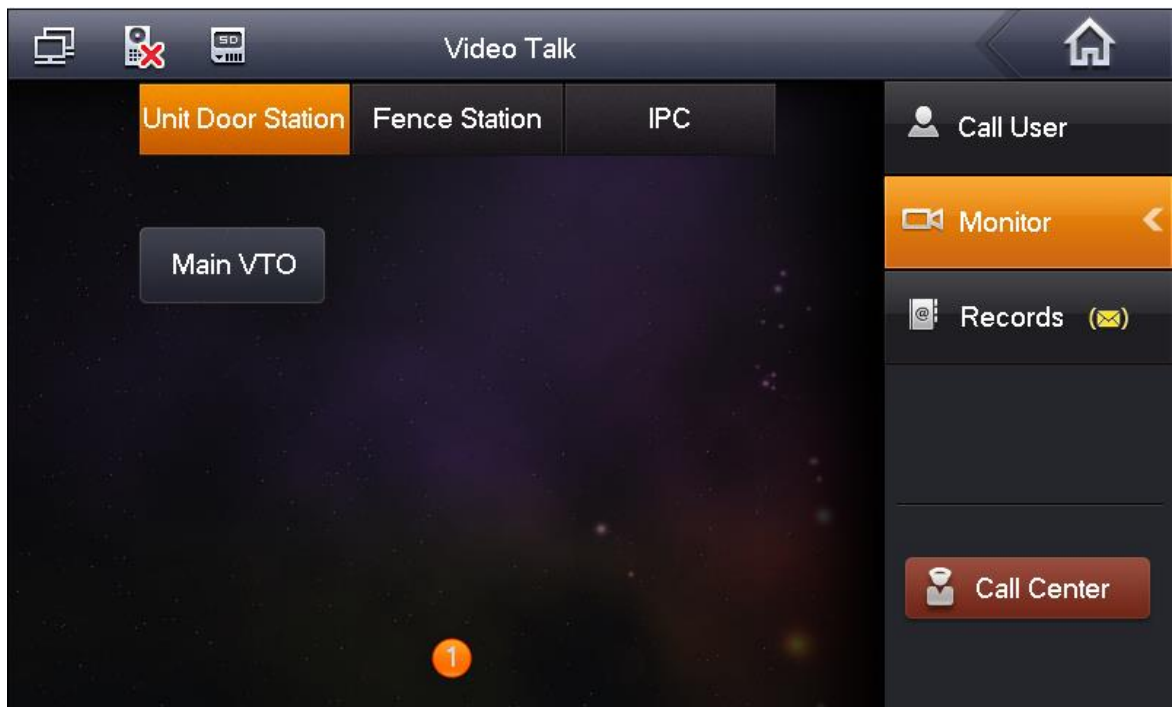


Figure 2- 3


### 2.1.2.3 Call History

Click on **Records**, you can view missed call, answered call and called call. See Figure 2- 4.



Figure 2- 4


## 2.1.2.4 Management Center

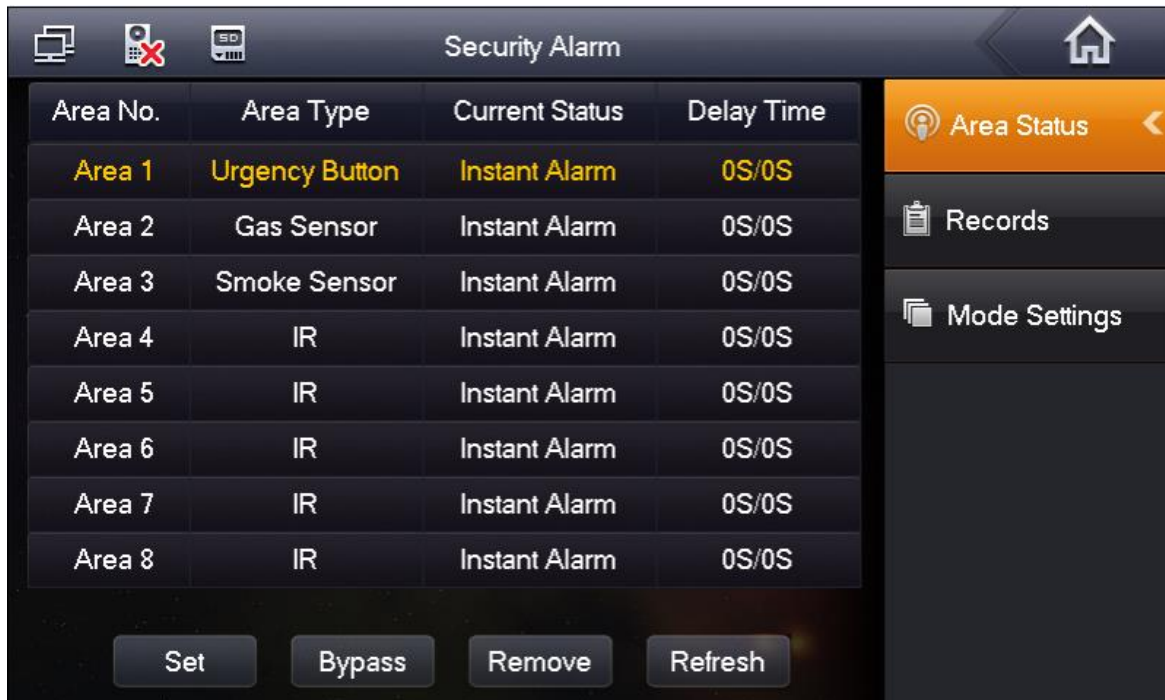
Click on  or press Emergency button, and it is to call MGT center.

## 2.1.3 Security

In homepage, click on Security to enter Security interface.

### 2.1.3.1 Armed zone

Step 1. Click on , interface shows current 8-ch area status, including Area Type, Current Status, and Delay Time. See Figure 2- 5.



Area No.	Area Type	Current Status	Delay Time
Area 1	Urgency Button	Instant Alarm	0S/0S
Area 2	Gas Sensor	Instant Alarm	0S/0S
Area 3	Smoke Sensor	Instant Alarm	0S/0S
Area 4	IR	Instant Alarm	0S/0S
Area 5	IR	Instant Alarm	0S/0S
Area 6	IR	Instant Alarm	0S/0S
Area 7	IR	Instant Alarm	0S/0S
Area 8	IR	Instant Alarm	0S/0S

The screenshot shows a mobile application interface titled "Security Alarm". At the top, there are icons for a monitor, a red 'X' with a person, and a server rack. A home icon is in the top right. Below the title is a table with 8 rows. The first row is highlighted in orange. To the right of the table is a sidebar with three items: "Area Status" (selected), "Records", and "Mode Settings". At the bottom of the screen are four buttons: "Set", "Bypass", "Remove", and "Refresh".

Figure 2- 5

Step 2. Click on Set, input password, to enter area setting interface. See Figure 2- 6.

Note:

The entry password is user password. Default password is 123456, please see Ch 2.1.5.

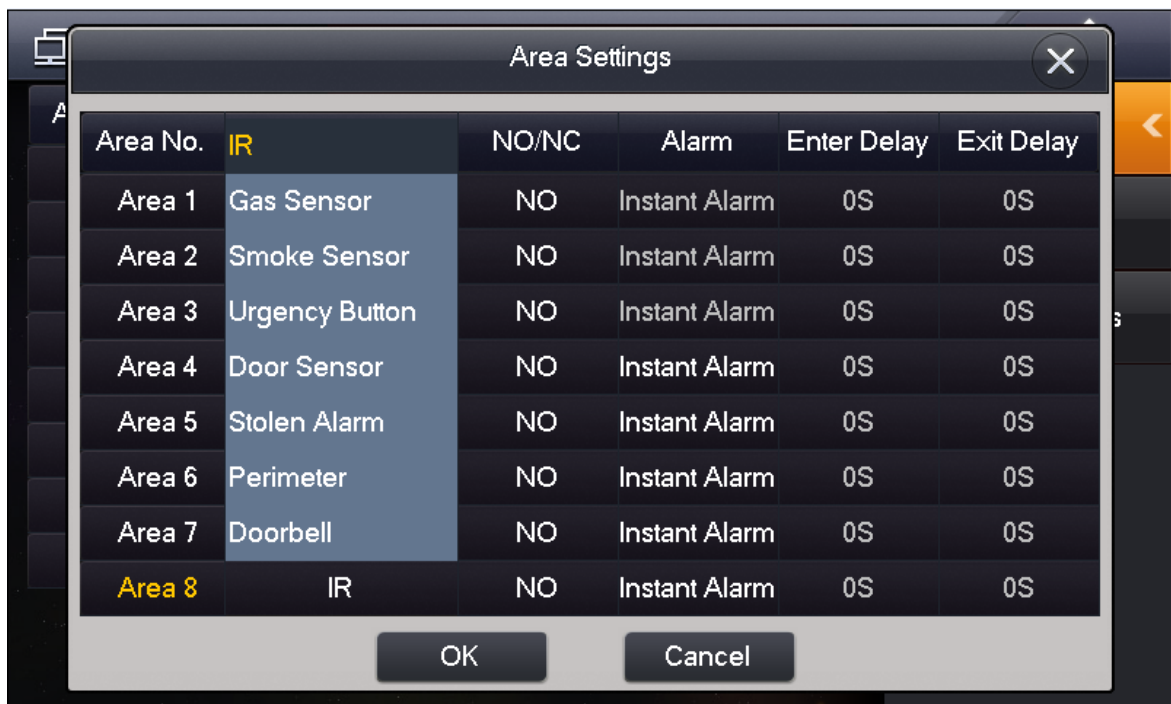



Figure 2- 6

You can set bypass and delete for 4~8 channels to disable area for one time or long-term.

### 2.1.3.2 Alarm History

Click on  **Records**, and it records alarm time, area no., and event.

Meantime, alarm info will be simultaneously uploaded to management platform. When each channel has alarm, there will be a 15s alarm locally, plus a pop-up alarm interface.

### 2.1.3.3 Mode Setup


Click on  **Mode Settings**, set area alarm mode, including Out mode, In mode, Sleep mode and Custom mode. See Figure 2- 7.



Figure 2- 7

Note:

Password to enter mode setup page is the user password, and default password is 123456. Refer to Ch 2.1.5.

## 2.1.4 Info Search

In homepage, click on Info Search, to enter Info Search interface.

### 2.1.4.1 Publish Info

Click on **Publish Info**, you can view, delete and clear information published.

VTH receives information from the center, and indicator will turn on.

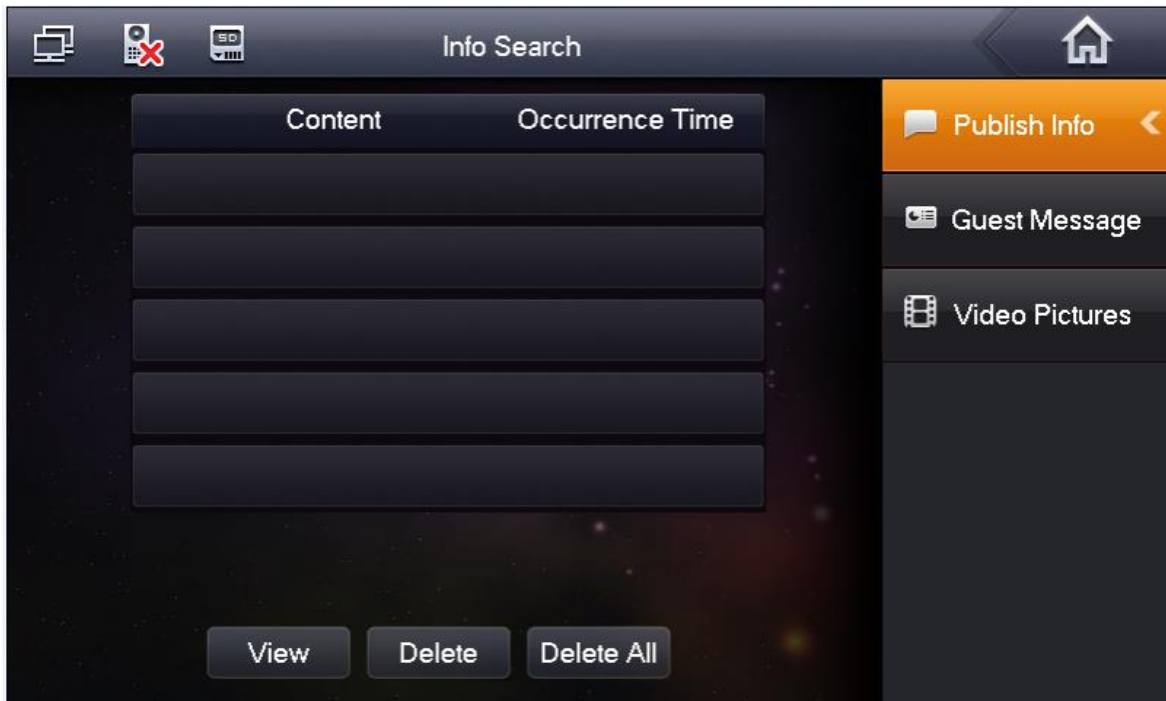


Figure 2- 8

#### 2.1.4.2 Guest Message

Click on **Guest Message**, user can view guest message with time and location on VTH.

#### 2.1.4.3 Video Pictures

Step 1. Click on **Video Pictures**, user can view video and picture during monitoring and talk on VTH.

Step 2. Click on Records to view, delete and clear records. See Figure 2- 9.

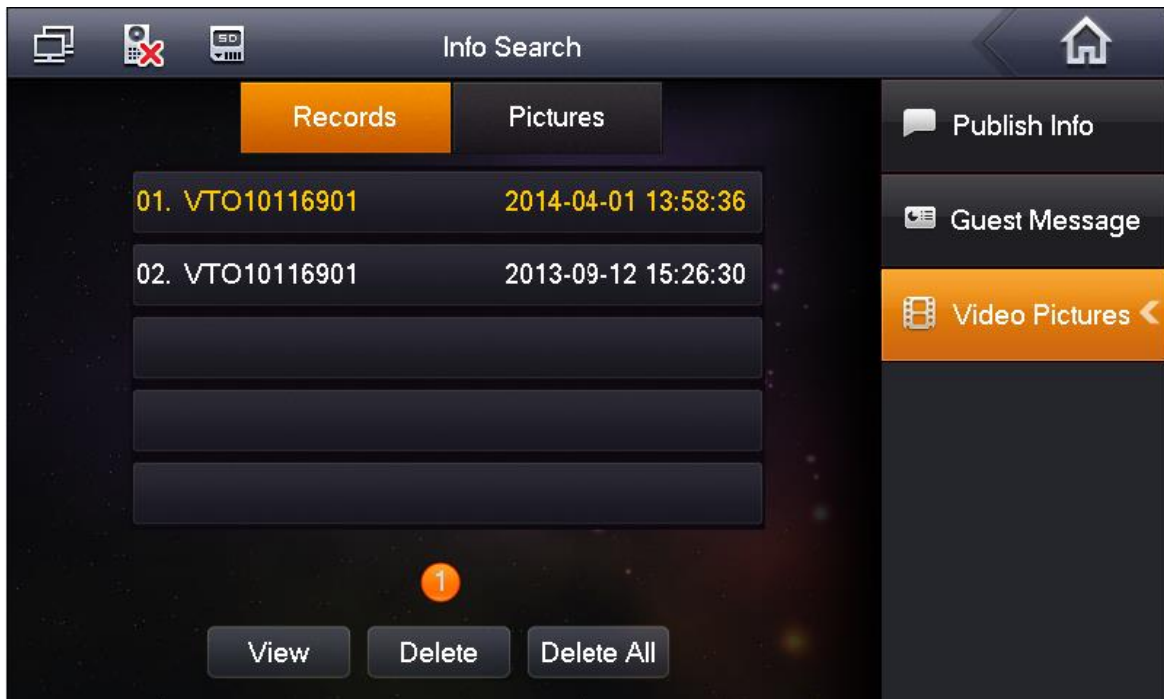


Figure 2- 9

Step 3. Click on View to play record. See Figure 2- 10.

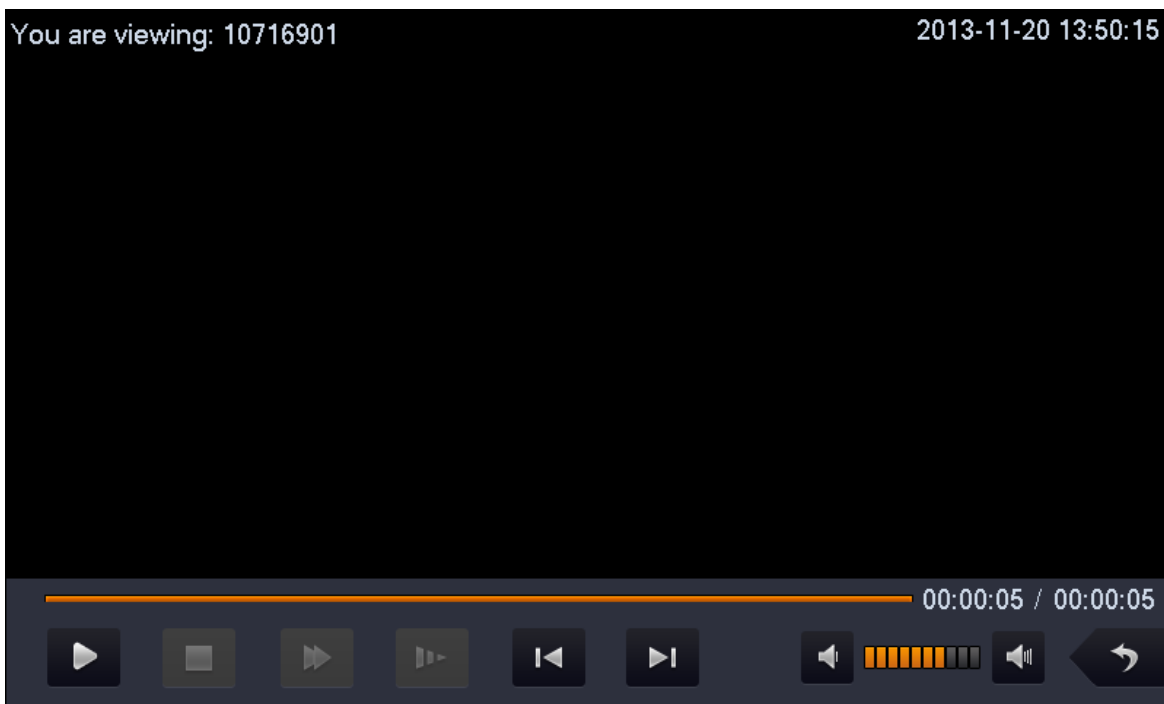
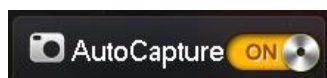


Figure 2- 10

Step 4. Click on file to view, delete or clear pictures.

Note:



On VTH project setting interface, enable **AutoCapture ON** function. When VTO calls VTH, VTH will take three photos automatically and save them to local SD card. (Only Some models support this function)

## 2.1.5 System Settings

In System Settings interface, user can set screen brightness, incoming ring, alarm ring, talk time, DND time and etc. The following introduces the most commonly used functions.

User

### 2.1.5.1 User Settings

Click on **User Settings**, you can set password, ring, talk, DND, local IPC, clean, touch ring, SD card and snapshot plus restore default settings. See Figure 2- 11.

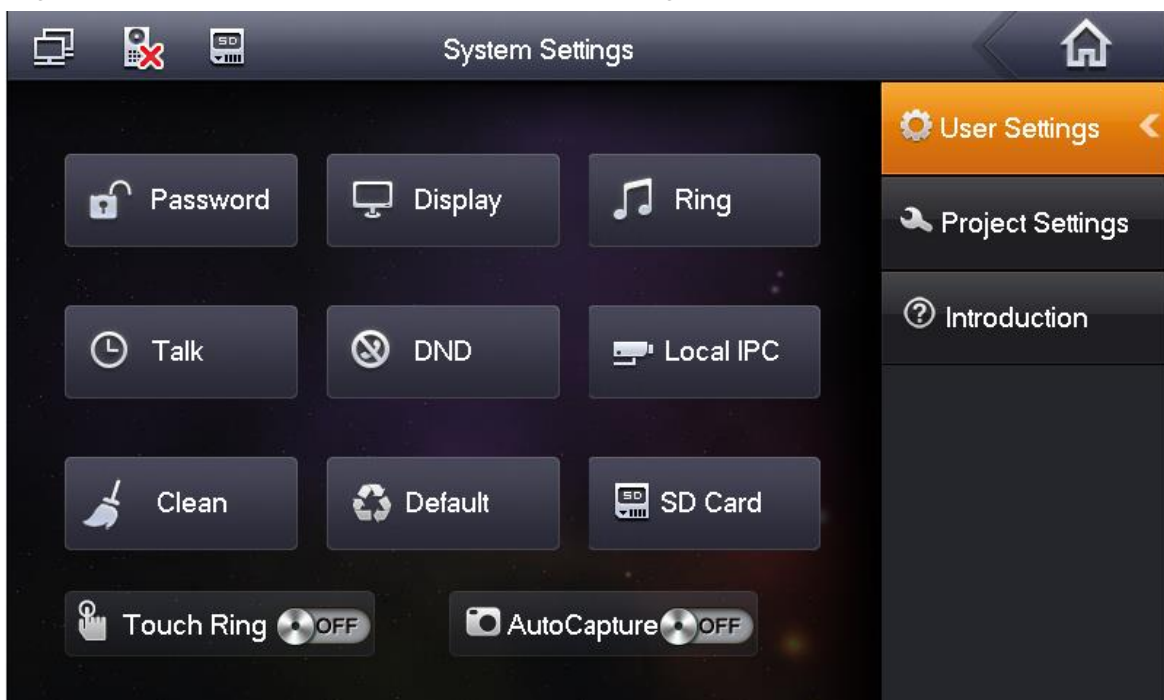


Figure 2- 11

### Password

Step 1. Click on Password. You can set user password, unlock password, arm password and anti-hijack password. See Figure 2- 12.

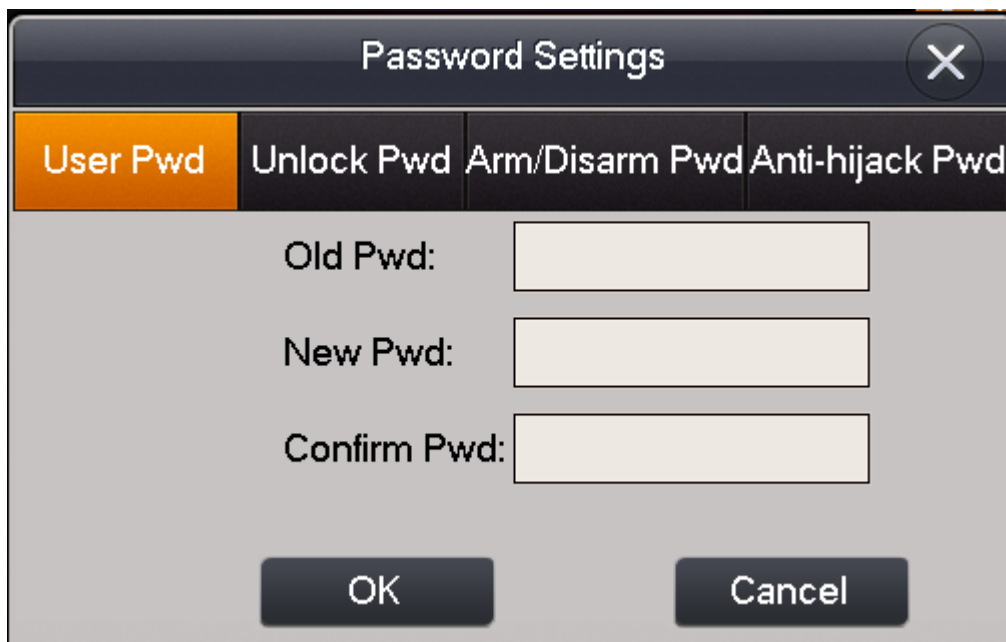


Figure 2- 12

- User password initially is 123456.
- Unlock password initially is null.
- Arm password initially is 123456.
- Disarm password initially is 123456.
- Anti-hijack password initially is 654321.

Note:



Some series has the same password for arming and disarming.

Step 2. Click on OK when you complete.

### Display

Click on Display. You can set screen brightness and screensaver via  and .

### Ring

Click on Ring. You can set call ring and alarm ring via  and .

### Talk

Step 1. Click on Talk. You can set ring, call time, monitor time, record time and message time of VTO and VTH. See Figure 2- 13.





Figure 2- 13

Step 2. Click on **+** to increase time, click on **-** to decrease time. Unit is second.

Step 3. Click on OK.

### **DND**

Click on DND to set do not disturb time. Unit is hour.

### **Local IPC**

Step 1. Click on Local IPC. You can set IPC name, address, username and password. See Figure 2- 14.



Figure 2- 14

Step 2. Click on Save.

Step 3. In homepage, click on talk to view added IPC video.

### Clean

Click on Clean to lock screen and now you can clean the screen.

### Default

Click on Default to restore system default settings.


### SD card

Click on SD Card, you can view SD card free space or format SD card.


Note:

Password to enter SD card setting interface is the user password, which is initially 123456.


### Touch Ring

Slide . ON means touch sound is on. OFF means touch sound is off.

### Auto Capture (Snapshot)

Slide . ON means snapshot is on. OFF means snapshot is off.

### 2.1.5.2 Project Settings

Click on , this function is for installer user only. The entry password is 002236.

### 2.1.5.3 Introduction


Click on , you can view this product and problems might encounter during usage. See Figure 2- 15.



Figure 2- 15

## 2.2 Unlock

When VTH is being called, monitored, in call status, press unlock button or unlock icon on VTH to remotely unlock door.

## 2.3 Arm/Disarm

### Disarm Status

Press arm icon in homepage, select one mode (out, in, sleep and custom). In pop-up box, input arm password (default password is 123456.). See Figure 2- 16.

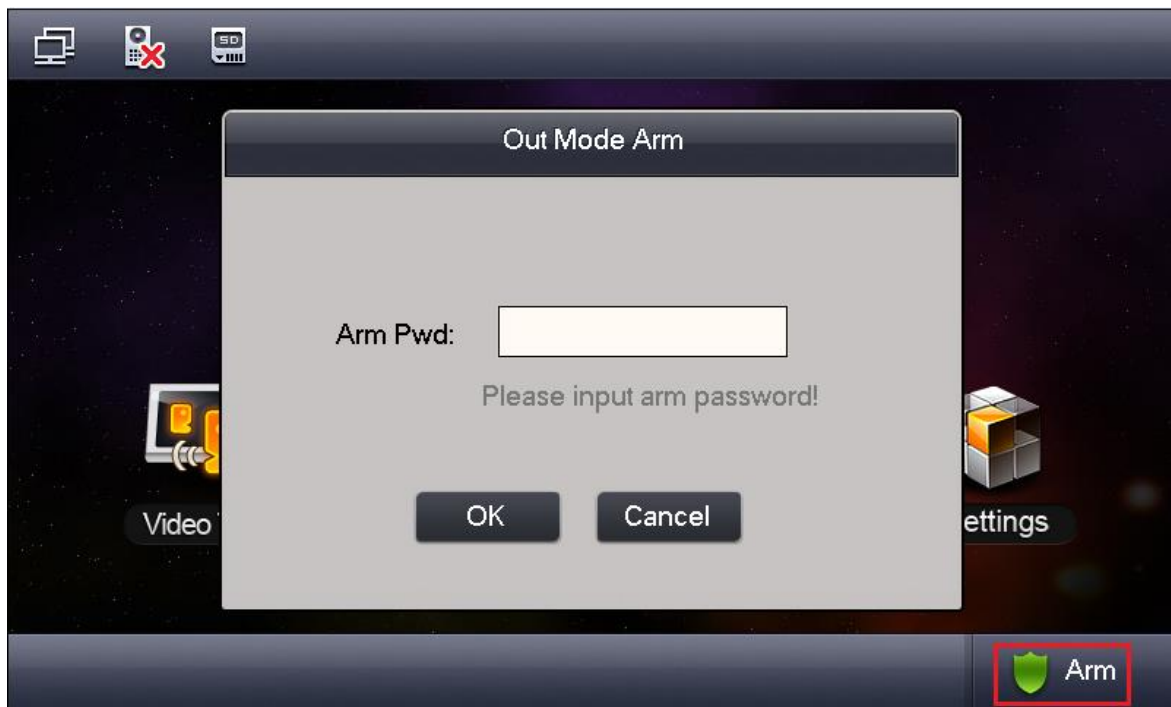


Figure 2- 16

- If you select delay, then system will enter armed status after the delay period.
- If you select immediate arm, then system will enter armed status when audio prompt ends.

### Arm Status

Press disarm icon in the lower right corner of homepage. Input disarm password (default password is 123456.). If the password is correct, system will say disarmed successfully. If the password is incorrect, system will ask you to try again.

# Appendix 1 Technical Specification

VTH16 Series Model	VTH1660CH	VTH1660CH-C
<b>System</b>		
Main Processor	Built-in microcontroller	
Operating System	Built-in LINUX system	
<b>Video</b>		
Video Compression Standard	H.264	
Video Resolution	800x480	
Front Camera	N/A	3.0 megapixel
<b>Audio</b>		
Input	All-direction microphone	
Output	Built-in loudspeaker	
Bidirectional Talk	Support bidirectional talk	
<b>Display</b>		
Screen Dimension	10.2 inch TFT full real color	
<b>Operating Mode</b>		
Input	Touch screen	
<b>Alarm</b>		
Alarm Input	8-ch	
Alarm Output	1-ch	
<b>Network</b>		
Ethernet	10M/100Mbps self-adaptive	
Networking Protocol	TCP/IP	
<b>Specifications</b>		
Power	DC 10~15V or direct supply from professional switch	
Power Consumption	Standby ≤1.5W ; Working ≤7W	
Working Environment	-10℃~+60℃	
	10~90%RH	
Dimensions (L*W*H)	260mm*189mm*22.7mm	

Weight	0.8 kg
--------	--------

**Note:**

- **This manual is for reference only. Slight difference may be found in user interface.**
- **All the designs and software here are subject to change without prior written notice.**
- **All trademarks and registered trademarks are the properties of their respective owners.**
- **If there is any uncertainty or controversy, please refer to the final explanation of us.**
- **Please visit our website or contact userr local service engineer for more information.**